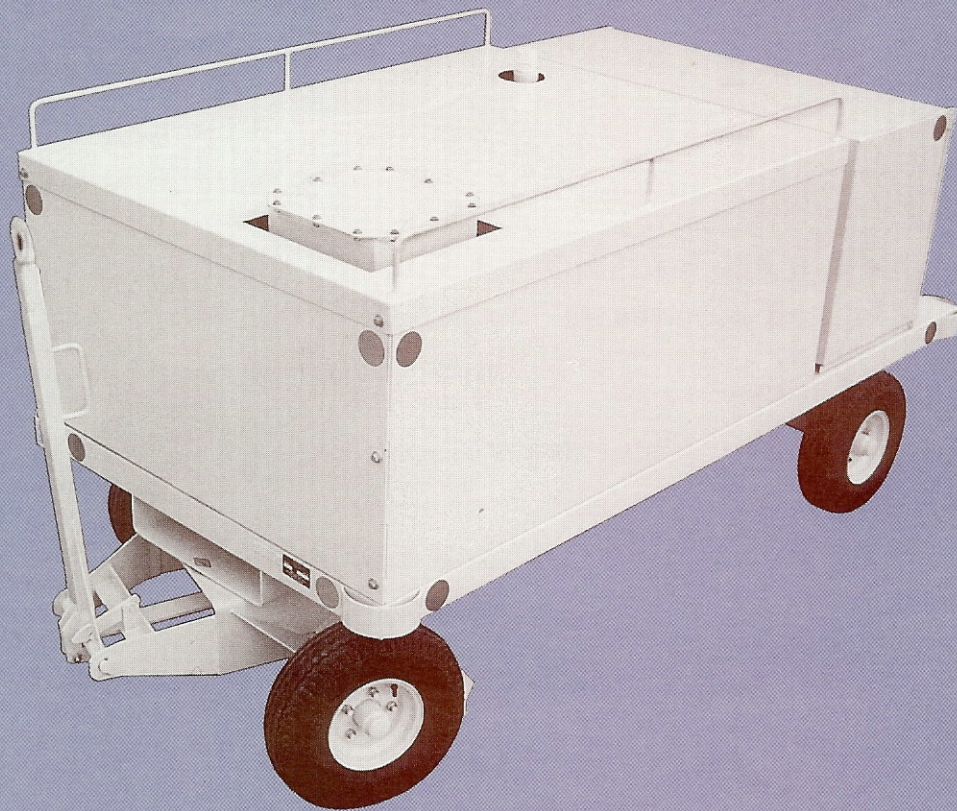


Par-Kan Company

Ground Support Equipment Division

P.O. Box 219 Silver Lake, IN 46982 U.S.A.

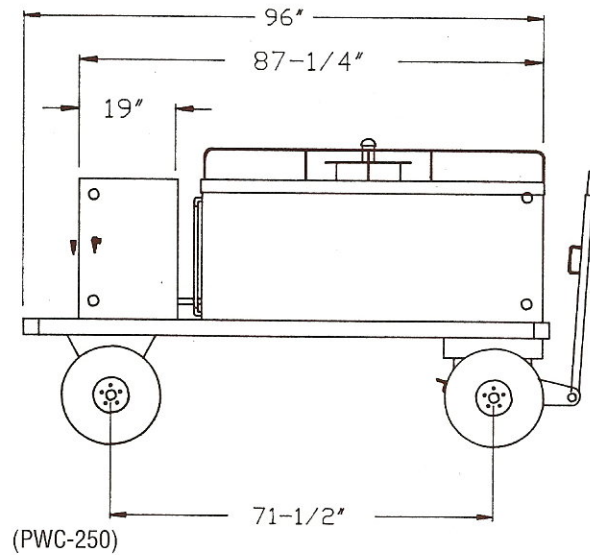
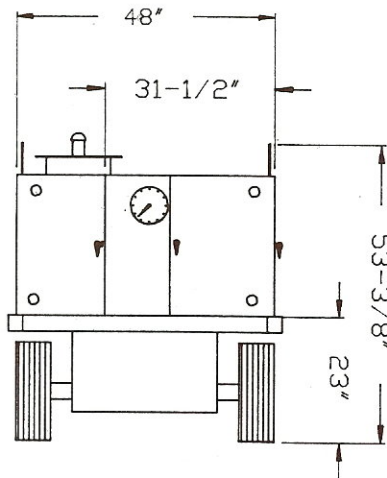
(219) 352-2141 (219) 352-2182 Fax



POTABLE WATER CART MODELS PWC-250 & PWC-450

Par-Kan Company Ground Support Equipment is Quality Built for Peak Performance.
We are constantly striving for excellence in our product line and to satisfy our customers' requirements. You will always get *Quality, Value* and *Performance* that you can trust and depend on when using Par-Kan products.

POTABLE WATER CART MODEL PWC-250 & PWC-450



GENERAL SPECIFICATIONS

MODELS	<u>PWC-250</u>	<u>PWC 450</u>	TOW BAR	2 1/2" (ID) Tow Bar Lunette	HOSE	12' x 3/4" Food Grade Fill Hose
DIMENSIONS			FINISH	Standard White Enamel Finish	VALVE	1" Bronze Ball Valve 1/4 Turn On and Off
Length:	96"	116"	REFLECTORS	3" Diameter, at Front, Rear and Sides D.O.T. Approved	OPTIONS	<ul style="list-style-type: none"> Auxiliary Hand Pump Honda 5.5 H.P. Electric Start Gasoline Engine 1" Stainless Steel Ball Valve Winterization Package Hose Reel Special Colors Pat. Autocon Steering Assembly Torsion Axles Other Tires, Hitches and Bumpers Available Upon Request
Width:	48"	56"	WATER TANK	250 Gal. Capacity (PWC-250) 450 Gal. Capacity (PWC-450) Stainless Steel 12" x 18" Inspection Cover 2" Vent and Fill Cap Bottom Drain in Tank Sight Gauge		
Height:	53 3/8"	64"	FILL FITTING	V1041J012A00		
Bed to Ground Height:	23" to 24"	24" to 25"	PUMP	20 G.P.M. Centrifugal Type Bronze Case & Impeller Stainless Steel Shaft	WARRANTY	One Year on Material and Workmanship
EMPTY WT.	1,380 lbs.	1600 lbs.	POWER	Honda Engine 2.2 H.P.		
LOADED WT.	3,500 lbs.	5200 lbs.	METER	Resetable Flow Meter U.L. Approved		
STEERING	Fifth Wheel Steering Tough Anti-Friction Plate Low Maintenance					
WHEELS	5 Bolt 4 1/2" B.C. Removable Spindles: 1 3/4" Diameter Tire Size: 5.70" x 8.00" (PWC-250) 6.00" x 9.00" (PWC-450) Tubeless Load Range "C"					
PARKING BRAKES	Tow Bar Activated					

Model PWC-250 and PWC-450 are designed to be towed at non-highway speeds not to exceed 15 m.p.h.

Specifications are subject to change.

DISTRIBUTED BY: